

## 2.4 Keys and Buttons

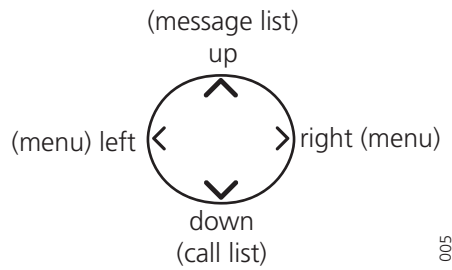


Figure 5. Navigation key functions in stand-by mode (default).

### 2.4.1 Navigation Key

The Navigation key controls the movement of the cursor in the display.

In stand-by mode the Navigation key  $\nabla$  is used for entering the Call list, the Navigation key  $\blacktriangle$  for entering the Message list, and the Navigation key  $\langle \rangle$  for entering the menu.

In menu mode, the Navigation key (all directions) is used for scrolling, in the submenus the Navigation key  $\blacktriangle \nabla$  is used for scrolling through the entries.

**Note:** These are the default settings for the Navigation key. They can be changed using the Portable Device Manager.

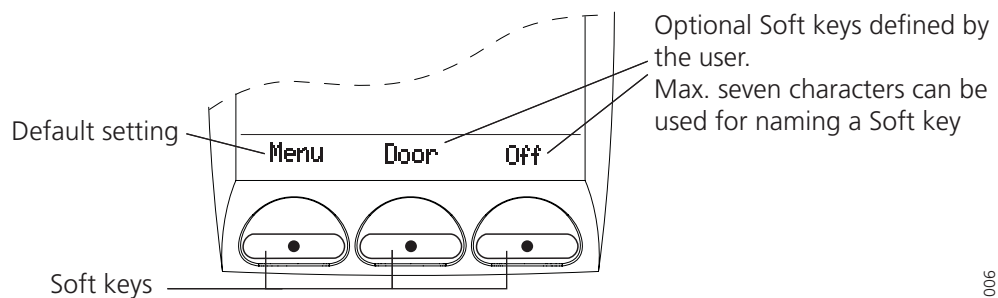
### 2.4.2 Off-hook Key

The Off-hook key  $\text{☎}$  is used for connecting calls.

### 2.4.3 On/Off and On-hook Key

The On/off and On-hook key  $\text{☎}$  is used for disconnecting calls and for switching the handset on and off.

### 2.4.4 Soft keys



The three Soft keys are located just beneath the display and the function of each Soft key is indicated by text in the display just above the keys.

In stand-by mode the Soft keys can be used for specific functions defined by the user of the handset. The function can be to dial a specific telephone number, sending data, a short-cut to the *Menu*, or sending a message.

When navigating in menu mode the Soft keys are used for menu choices.

**Note:** The Soft key *Menu* is a default setting but all Soft key settings can be changed by the user.

### 2.4.5 Hot keys

Any key "0"–"9" can be set to a Hot key. A Hot key can be programmed to give access to frequently used functions such as dialling a specific handset number, sending data, a short-cut to the menu, or sending a message. Note that the possibility to define a Hot key can be locked by your system administrator.

### 2.4.6 Volume Button

The Volume button is used for increasing/decreasing the volume. The adjusted volume is saved in the handset.

### 2.4.7 Mute Button

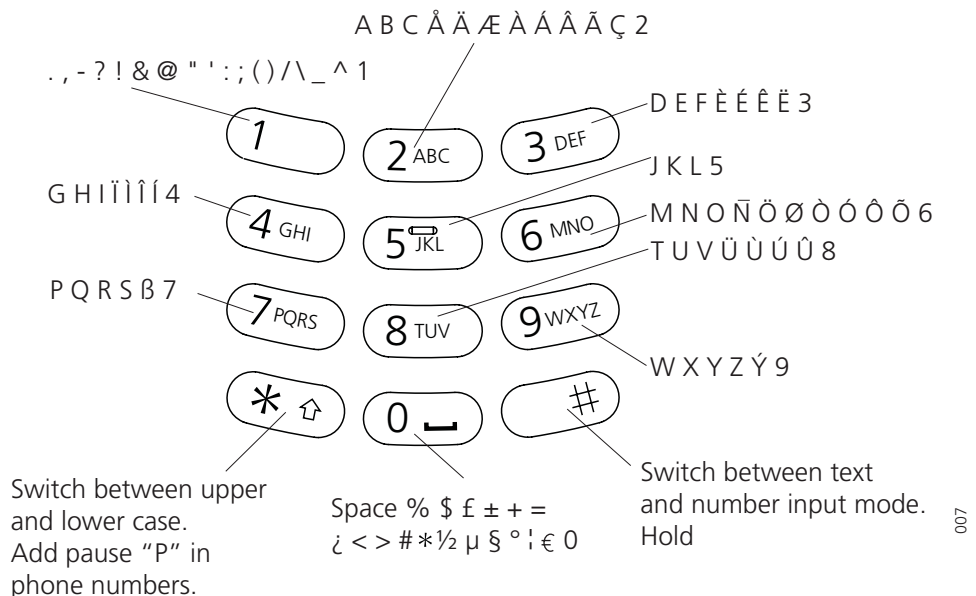
The Mute button is used for silencing the audible signals in stand-by mode, silencing the ring signal at an incoming call, and also to turn off/on the microphone during a call.

### 2.4.8 Alarm Button

The red Alarm button is used for sending alarms, testing the alarm function (test alarm), and for calling a predefined number after an alarm.

### 2.4.9 Alpha Numeric Keys

In some applications you have the possibility to write letters as well as numbers, which is indicated by the *ABC* icon. Pressing the numerical keys will now give you access to the alphabet plus some special characters according to the picture beneath.



### In Stand-by Mode

In stand-by mode short presses on the keys enter the digits, and the characters \* and #. A long press on a key "0" - "9" activates the programmed Hot key function.

### **In Text Input Mode**

In text input mode a press on a key displays the first available character on that specific key. Press the key repeatedly to view the characters following the first. The marked character is selected after a time out or when another key is pressed. Press the \*-key to switch between upper case and lower case. Press and hold a key to enter a number in text input mode, or press repeatedly until the number is shown.

Press and hold the #-key in order to switch between text and number input mode.

### **In Dialling mode**

If a pause is required in a phone number, it is added by making a long press on the \*-key. The pause is indicated with a "P" in the number.

## **2.5 Accessories**

### **2.5.1 Belt Clip, Swivel-type**

The ordinary belt clip can be replaced with a special swivel-type belt clip adapted to firmly place your handset onto your belt.

### **2.5.2 Leather Casing**

The leather casing is especially designed for the handset. The casing comes with a swivel-type belt clip and the handset is fully operational while placed in the casing.

### **2.5.3 Headset**

A headset is recommended if you frequently use the phone, and/or want to have both hands free. The handset has a special headset connector that is waterproof. The headset comes in three versions; with microphone integrated in the cable, with microphone on a boom, and with hearing protection (Peltor). An adapter, that makes it possible to connect other standard types of Peltor headsets, is also available.

### **2.5.4 Security String**

The security string is 800 mm long. Fasten one end to the hinge-type belt clip and the other end to, for example, your pocket.